

Lamp Type: GSL843T5LCA/CB-0M9B

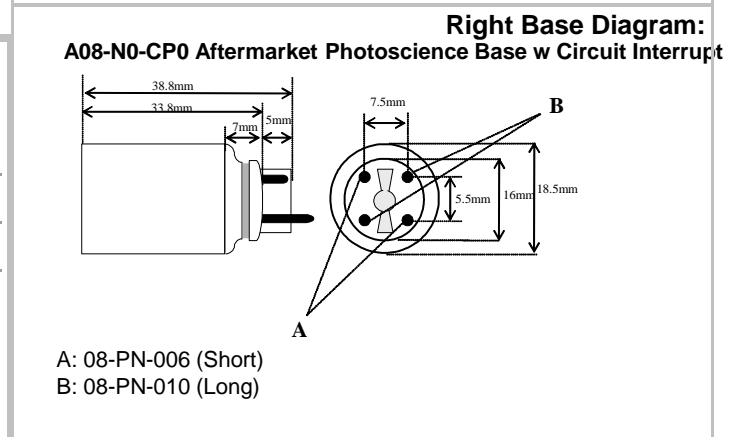
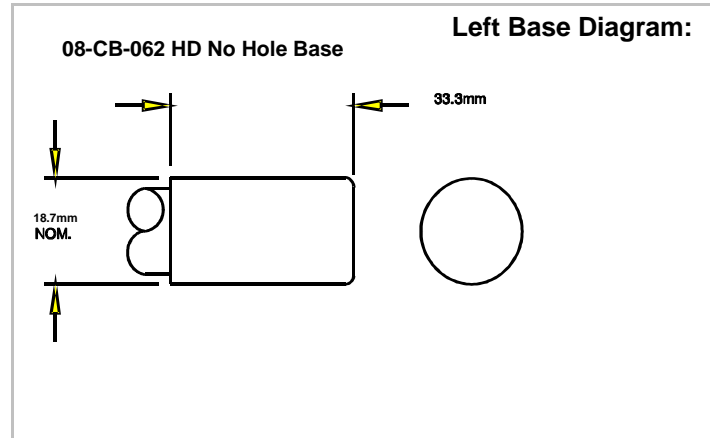
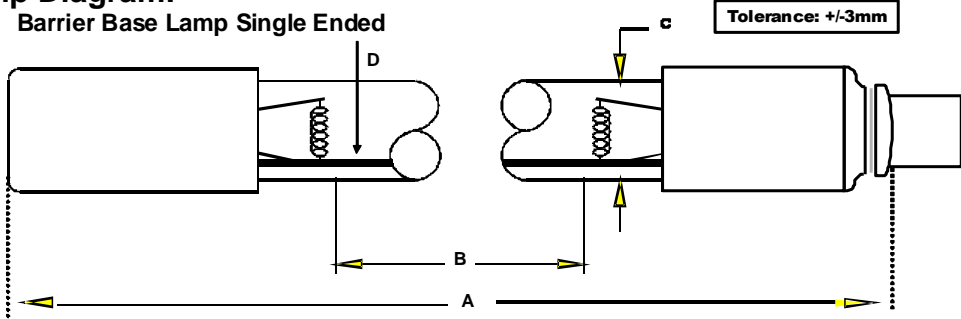
Spec Number:

3194

Engineering Specification Sheet

Lamp Diagram:

Barrier Base Lamp Single Ended



Lamp Characteristics

(A) Base Face:	843	mm	+/- 3		
(B) ARC:	767	mm		Operating Current	420mA
(C) Bulb Diameter	15	mm		Lamp Voltage:	97v
(X)				Lamp Wattage:	40w
Glass Type:	L (Non Ozone)	Coating:	A11-QC-001		
If Spliced:	L	mm	VH	mm	
	(Y)				
	(Y1)				

UV Output - Certified to be true. First Light Technologies, Inc.

Output UVC Watts	micro/watt	/cm^2 @ 1 Meter	Rated Life (hrs)	% Output @EOL	Output Notes Field	Ballast Used for Measurements
19		180	12000	80.00%		TB-004

First Light
 212 Ideal Way
 Poultney, VT 05764 USA
 Phone-(802) 287-4195 Fax-(802) 287-4489
 www.firstlightusa.com
 email: sales@firstlightusa.com

*UV Output is based on lamps measured after 100 hours of operation under lab conditions. These values are subject to wide variations under application/field conditions.
 UV Output is measured at 254 nm
 **Rated Life is for reference purposes only and is based on a group of lamps operating under lab conditions. Actual life depends on the operating conditions of the lamp.

6/15/2022
 12:39:19 PM

This data includes matters which are trade secrets of First Light Technologies, Inc., or Proprietary or Confidential to First Light Technologies, Inc. and shall not be reproduced or disclosed in whole or part, or used in any manner except in connection with First Light Technologies, Inc. business, without the written permission of First Light Technologies, Inc.