



VPM SERIES VAPOR PHASE ADSORBERS

VPM-1000, VPM-2000, VPM-2500, VPM-3000

Applications

The VPM Series vapor phase adsorbers are prefabricated steel vessels engineered to remove contaminants and/or odor from air at moderate flow rates with low pressure drop. The steel adsorbers are provided with lifting lugs and are mounted on a fork truck mobile base for easy placement and carbon exchange service. Evoqua Water Technologies provides a complete turnkey service to handle carbon reactivation and exchange of these adsorbers. These adsorbers can be utilized by industrial, municipal or commercial users in a variety of air purification applications including but not limited to the following:

- Emergency Air Quality Control
- Tank or Sump Air Vents
- Soil Vapor Extraction
- Air Stripper Off-Gas

Installation, Startup and Operation

The VPM Series vapor phase adsorbers are delivered filled with activated carbon and ready to install. The vessels are self-supporting and should be installed on a level, accessible area near the influent source. Installation is easy, requiring flexible hose or pipe connection to the vessel's MNPT inlet and outlet fittings. Hard piped systems require flexible pipe connectors to prevent damage to the vessel's fittings and to make adsorber change-out easier. When the inlet and outlet connections are complete, the vapor phase adsorber is on line.

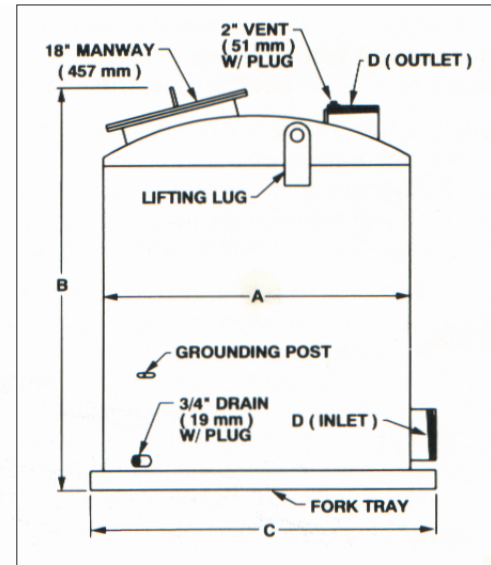
Evoqua can provide a total service package that includes utilizing OSHA trained personnel providing on-site carbon changeouts, packaging and transportation of spent carbon for recycling at our reactivation facilities, where the contaminants are thermally destroyed. We provide instructions on sampling the spent carbon and completion of our spent carbon profile form. Spent carbon acceptance testing can be performed at our certified laboratory. When requested, a certificate of reactivation will be issued.

BENEFITS & DESIGN FEATURES

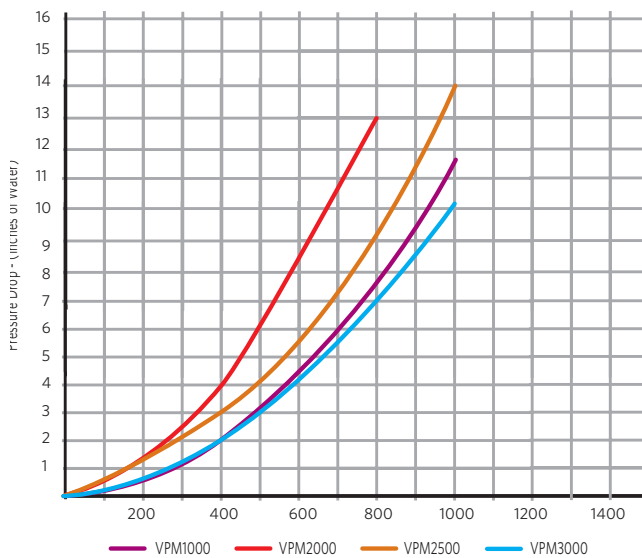
- **Adaptable** - Adsorber is charged with the carbon best suited for the specific applications up to 1200 SCFM
- **Dependable** - Operates continuously with minimal maintenance
- **Durable** - Adsorber is heavy steel construction lined with a high performance epoxy resin for superior corrosion resistance and long life
- **Efficient** - Recycle of adsorber vessels and carbon optimizes treatment economics
- **Portable** - Easily transported and installed at almost any location
- **Versatile** - Easily configured as single or multiple unit systems to handle higher flows

DIMENSIONS AND CAPACITIES

Adsorber	Inches (mm)				Max. Flow CFM (m ³ /hr)	Carbon Fill lbs. (kg.)	Shipping Weight lbs. (kg.)
	A	B	C	D			
VPM - 1000	48 (1219)	66 (1676)	54 (1372)	8 (203)	1000 (1699)	1000 (454)	2100 (953)
VPM - 2000	48 (1219)	90 (2286)	54 (1372)	8 (203)	800 (1359)	2000 (908)	3550 (1611)
VPM - 2500	54 (1372)	90 (2286)	60 (1524)	8 (203)	1000 (1699)	2500 (1134)	4150 (1883)
VPM - 3000	60 (1524)	91 (2311)	66 (1676)	8 (203)	1200 (2039)	3000 (1361)	5100 (2314)



VPM Series Pressure Drop



Safety Note: Wet activated carbon readily adsorbs atmospheric oxygen. Dangerously low oxygen levels may exist in closed vessels or poorly ventilated storage areas. Workers should follow all applicable state and federal safety guidelines for entering oxygen depleted areas.

Evoqua makes no warranties as to completeness of information. Users are responsible for evaluating individual product suitability for specific applications. Evoqua assumes no liability whatsoever for any special, indirect or consequential damages arising from the sale, resale or misuse of its products. All information presented herein is believed reliable and in accordance with accepted engineering practice.

Warning

The adsorption of organic compounds onto activated carbon generates heat. In rare instances, adsorbed compounds may also react on the carbon surface to generate additional heat. If these heat sources are not properly dissipated, the carbon bed temperature may rise to the point where the carbon can ignite, leading to a fire or other hazardous condition. A description of industry-accepted engineering practices to assure the dissipation of heat and safe operation of the carbon bed can be provided upon request. In certain applications where the risk of ignition is significant, activated carbon may not be a recommended treatment technology. Please contact your Technical Sales Representative for more details.



181 Thorn Hill Road, Warrendale, PA 15086

+1 (866) 926-8420 (toll-free) +1 (978) 614-7233 (toll)

www.evoqua.com

All information presented herein is believed reliable and in accordance with accepted engineering practices. Evoqua makes no warranties as to the completeness of this information. Users are responsible for evaluating individual product suitability for specific applications. Evoqua assumes no liability whatsoever for any special, indirect or consequential damages arising from the sale, resale or misuse of its products.

© 2014 Evoqua Water Technologies LLC Subject to change without notice WS-VPM-DS-0514