



IONPURE® VNX-CDIT RANGE OF HIGH FLOW CONTINUOUS ELECTRODEIONIZATION (CEDI) MODULES

IONPURE® VNX-CDIT RANGE OF HIGH FLOW CONTINUOUS ELECTRODEIONIZATION (CEDI) MODULES

IONPURE VNX MODULE - VNX30CDIT-2

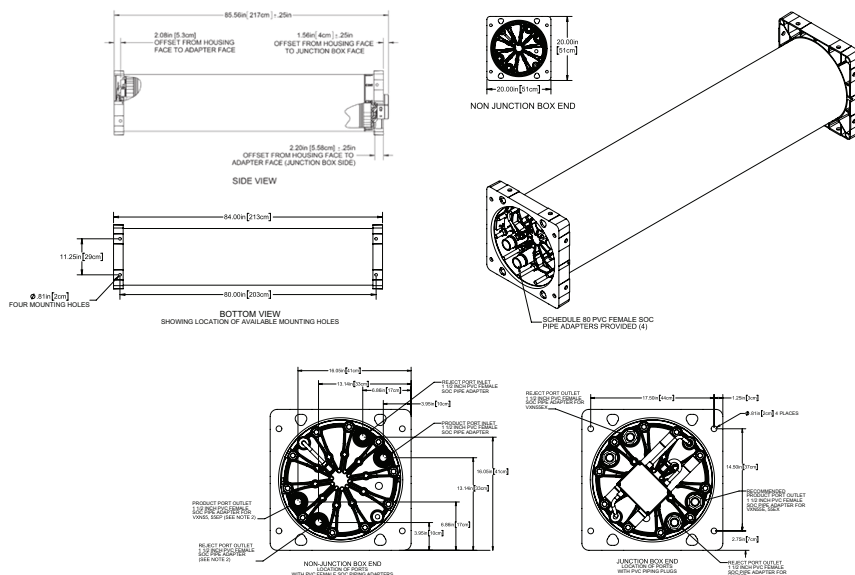
The Ionpure® VNX-CDIT module is designed with proven continuous electrodeionization (CEDI) technology to produce high purity water. Performance has been optimized for suitability on most single-pass reverse osmosis feed waters. CDIT is designed for feed water with up to 4 ppm of hardness greatly widening the application window for CEDI technology.

Each VNX30-CDIT module has a nominal flow rate of 30 gpm (6.8 m³/hr). Multiple 30 gpm modules provide for system designs with flow rates up to, and greater than 1,000 gpm. VNX15-CDIT is also available and offers a nominal flow rate of 15 gpm (3.4m³/hr).

VNX-CDIT Series Features

- 4 ppm as CaCO₃ max feed water hardness
- 2 ppm as SiO₂ max feed water silica
- Expanded CO₂ removal capabilities
- In most cases can operate on single pass RO permeate
- Thin cell technology optimized for feed water hardness tolerance
- No need for acid/caustic, neutralization systems or tank exchanges
- Significantly lower operating cost compared to conventional ion exchange systems
- Robust guaranteed leak free operation
- Continuous production of consistent quality
- On-board NEMA 4X, IP67 junction box for DC power connections
- Available as 30 gpm (6.8 m³/hr) or 15 gpm (3.4m³/hr) nominal flow rates

For additional information on our VNX30 series call +1 866.876.3340 or visit our website at www.ionpure.com.



OPERATING ENVIRONMENT

Installation should be indoors with no direct sunlight and should have a maximum ambient room temperature of 113°F (45°C).

MATERIALS CONSTRUCTION

- Wetted components of the VNX module consist of: PVC (adapters), nylon/ABS, polyphenylene oxide, polypropylene, silicone, ion-selective membranes, ion exchange resins and thermoplastic elastomer.
- Housing is fiberglass reinforced plastic (FRP). Standard color is white with glossy finish. Custom colors and labeling are available.
- The proprietary Flexmount™ bracket/end-block assembly is an epoxy painted aluminum casting suitable for securing modules to the frames and/or each other in Ionpure® system approved configurations.

QUALITY ASSURANCE STANDARDS

CE marked. Each module is factory tested to meet strict industry standards and is manufactured in an ISO 9001 and ISO 14000 quality and environmental management system. IFANCA HALAL Certified.

ORDERING INFORMATION

Item No.	Model No.	Description
W3T215828	IP-VNX30CDIT-2	VNX30-CDIT
W3T268747	IP-VNX15CDIT-2	VNX15-CDIT

- Each VNX module has four process connections; feed, concentrate feed, product and reject. PVC adapters (with dust covers) and plugs are provided with the module.
- High purity 50mm butt weld connection kits adapter(4)/plug(4):
Natural Polypropylene - Part #IP-VNX-CK-PP-2
- Standard 1-1/2" female socket connection kits adapter(4)/plug(4):
PVC - Part #IP-VNX-CK-PVC-2
- Module electrical power connections are made through an on-board junction box, NEMA 4X, IP67.

PHYSICAL SPECIFICATIONS

Product	Diameter	Width	Height	Length	Shipping Weight	Operating Weight
VNX30-CDIT	17.5" (44.45 cm)	20.0" (50.8 cm)	20.0" (50.8 cm)	84.0" (213.3 cm)	916 lbs (415.5 kg)	850 lbs (385.6 kg)
VNX15-CDIT	17.5" (44.45 cm)	20.0" (50.8 cm)	20.0" (50.8 cm)	44.0" (112 cm)	500 lbs (226.8 kg)	425 lbs (192.8 kg)



210 Sixth Avenue, Suite 3300, Pittsburgh, PA 15222

+1 (866) 926-8420 (toll-free)

+1 (978) 614-7111 (toll)

www.ionpure.com

Maximum Feed Water Specifications

Feed Water Conductivity Equivalent, including CO ₂ and Silica	≤ 100 µS/cm
Feed Water Source	RO permeate
Temperature	41 - 113°F (5 - 45°C)
Inlet Pressure	20 - 100 psi (1.4 - 7 bar)
Maximum Total Chlorine (as Cl ₂)	≤ 0.02 ppm
Iron (as Fe)	≤ 0.01 ppm
Manganese (as Mn)	≤ 0.01 ppm
Sulfide (as S ²⁻)	≤ 0.01 ppm
pH	4 - 11
Total Hardness (as CaCO ₃)	≤ 4.0 ppm
Dissolved Organics (TOC as C)	≤ 0.5 ppm
Silica (as SiO ₂)	≤ 2.0 ppm

Typical Module Performance

Operating Parameters

	VNX30-CDIT	VNX15-CDIT
Recovery	80% - 90%	
Flow Rate: Minimum	15 gpm (3.4 m ³ /hr)	7.5 gpm (1.7 m ³ /hr)
Flow Rate: Nominal	30 gpm (6.8 m ³ /hr)	15 gpm (3.4 m ³ /hr)
Flow Rate: Maximum	45 gpm (10.2 m ³ /hr)	22.5 gpm (5.1 m ³ /hr)

Power Parameters

DC Voltage	0 - 600
------------	---------

Hardness

Required Amperage

0 - 1.5 ppm Hardness	0 - 13.3 amps	0 - 6.6 amps
1.5 - 2.5 ppm Hardness	0 - 8.0 amps	0 - 4.0 amps
2.5 - 4.0 ppm Hardness	0 - 4.0 amps	0 - 2.0 amps

Product Water Quality

Product Resistivity	>16 megohm-cm*	>16 megohm-cm*
Silica (SiO ₂) Removal	≥ 95%	≥ 95%
Sulphate (SO ₄) Removal	≥ 99.5%	≥ 99.5%
Sodium (Na ⁺) Removal	≥ 99.5%	≥ 99.5%
Chloride (Cl ⁻) Removal	≥ 99.5%	≥ 99.5%

*Actual performance may be determined using the IP-Pro projection software available from Ionpure.

Ionpure and Flexmount are trademarks of Evoqua, its subsidiaries or affiliates, in some countries.

All information presented herein is believed reliable and in accordance with accepted engineering practices. Evoqua makes no warranties as to the completeness of this information. Users are responsible for evaluating individual product suitability for specific applications. Evoqua assumes no liability whatsoever for any special, indirect or consequential damages arising from the sale, resale or misuse of its products.

© 2024 Evoqua Water Technologies LLC

Subject to change without notice

ION-VNXCDIT-DS-0124