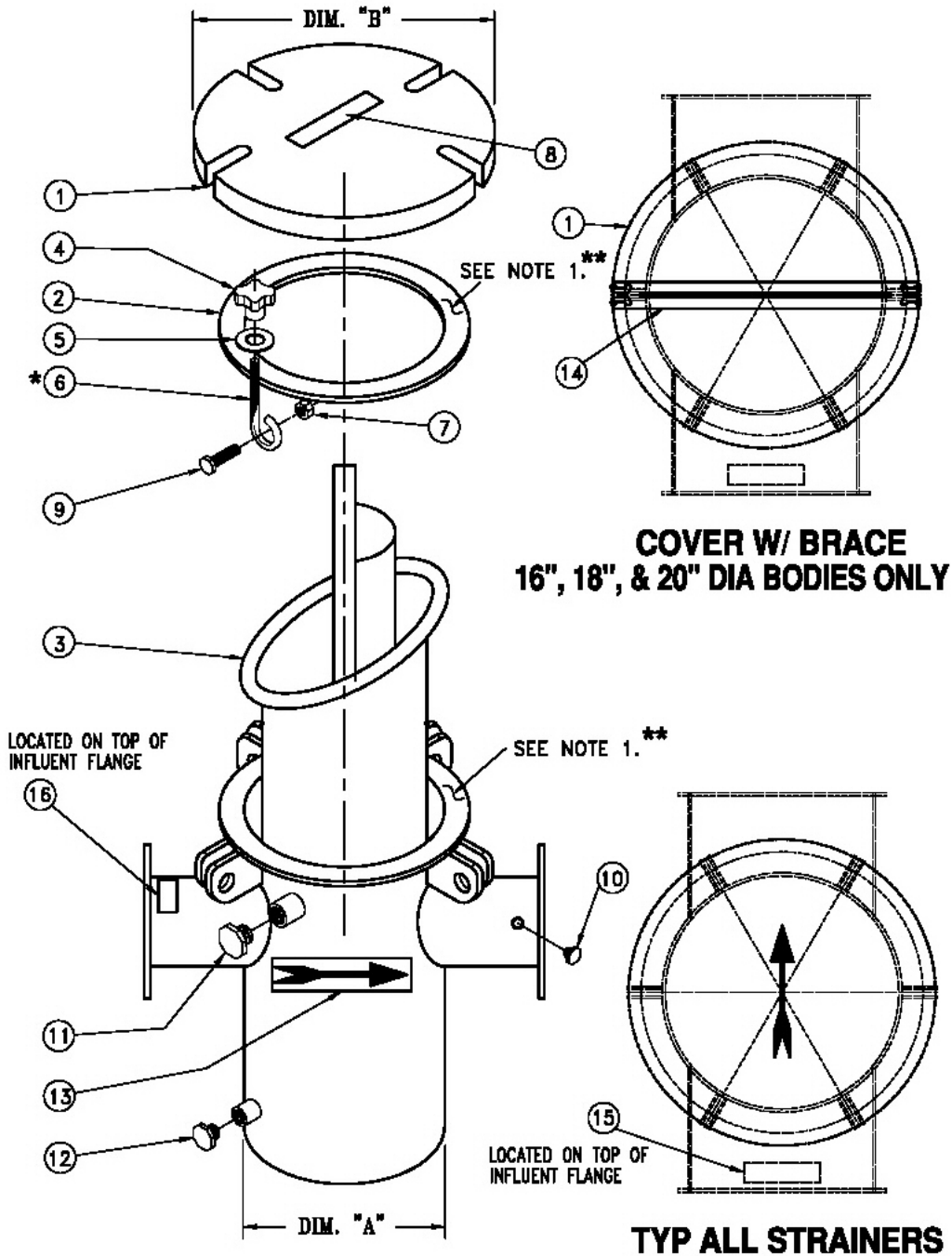




STRAINER SIZE	FIBERGLASS PART NUMBER	STAINLESS STEEL PART NUMBER	S.S. BASKET PART NUMBER
3"	1500NBFG03R1	150NBSTL03	NBBSK04EP
3" x 2"	N/A	150NBSTE32	NBBSK04EP
4"	1500NBFG04R1	150NBSTL04	NBBSK04EP
4" x 2"	N/A	150NBSTE42	NBBSK04EP
4" x 2 1/2"	150NBFG425ER1	150NBSTE45	NBBSK04EP
4" x 3"	150NBFG43ER1	150NBSTE43	NBBSK04EP
5"	N/A	150NBSTL05	NBBSK08EP
6"	1500NBFG06R1	150NBSTL06	NBBSK08EP
6" x 3"	150NBFG63ER1	150NBSTE63	NBBSK08EP
6" x 4"	150NBFG64ER1	150NBSTE64	NBBSK08EP
6" x 5"	150NBFG65ER1	150NBSTE65	NBBSK08EP
8"	1500NBFG08R1	150NBSTL08	NBBSK08EP
8" x 4"	150NBFG84ER1	150NBSTE84	NBBSK08EP
8" x 5"	150NBFG85ER1	150NBSTE85	NBBSK08EP
8" x 6"	150NBFG86ER1	150NBSTE86	NBBSK08EP
10"	1500NBFG10R1	150NBSTL10-M	NBBSK10EP
10" x 5"	150NBFG15ER1	150NBSTE15-M	NBBSK10EP
10" x 6"	150NBFG16ER1	150NBSTE16-M	NBBSK10EP
10" x 8"	150NBFG18ER1	150NBSTE18-M	NBBSK10EP
12"	1500NBFG12R1	150NBSTL12-M	NBBSK10EP
12" x 6"	150NBFG26ER1	150NBSTE26-M	NBBSK10EP
12" x 8"	150NBFG28ER1	150NBSTE28-M	NBBSK10EP
12" x 10"	150NBFG20ER1	150NBSTE20-M	NBBSK10EP
14"	1500NBFG14R1	150NBSTL14-M	NBBSK14EP
14" x 8"	150NBFG48ER1	150NBSTE48-M	NBBSK14EP
14" x 10"	150NBFG40ER1	150NBSTE40-M	NBBSK14EP
14" x 12"	150NBFG42ER1	150NBSTE41-M	NBBSK14EP
16"	1500NBFG16R1	150NBSTL16-M	NBBSK14EP
16" x 10"	150NBFG60ER1	150NBSTE60-M	NBBSK14EP
16" x 12"	150NBFG62ER1	150NBSTE62-M	NBBSK14EP



*** MEASURED FROM TOP OF EYE BOLT TO THE BOTTOM OF THREAD**

NOTE! PIPING ATTACHED TO THIS STRAINER MUST BE ADEQUATELY SUPPORTED AND RESTRAINED TO AVOID EXCESSIVE STRESSES TO THE STRAINER AND ASSOCIATED PUMPING EQUIPMENT.

BILL OF MATERIAL

ITEM	STRAINER SIZE	BODY SIZE DIM. "A"	COVER DIA. DIM. "B"	DESCRIPTION	PART NUMBER
1	3", 4"	8 5/8"	12 5/8"	COVER STRAINER	150NBCVR13R1
	5" – 8"	10 3/4"	14 3/4"	COVER STRAINER	150NBCVR48R1
	10", 12"	16"	20 1/2"	COVER STRAINER (8) hold downs	150NBCVR20R2
	14"	18"	23"	COVER STRAINER (8) hold downs	150NBCVR18R2
	16"	20"	25 1/2"	COVER STRAINER (8) hold downs	150NBCVR22R2
	10", 12"	16"	20 1/2"	COVER STRAINER (6) hold downs	150NBCVR20R1
	14"	18"	23"	COVER STRAINER (6) hold downs	150NBCVR18R1
	16"	20"	25 1/2"	COVER STRAINER (6) hold downs	150NBCVR22R1
2	3", 4"	8 5/8"	12 5/8"	GASKET STRAINER 10.125"OD X 8.75"ID	150NBGSK08R1
	5" – 8"	10 3/4"	14 3/4"	GASKET STRAINER 12.25"OD X 10.875"ID	150NBGSK48R1
	10", 12"	16"	20 1/2"	GASKET STRAINER 18.00"OD X 16.375"ID	150NBGSK16R1
	14"	18"	23"	GASKET STRAINER 20.50"OD X 18.25"ID	150NBGSK18R1
	16"	20"	25 1/2"	GASKET STRAINER 22.75"OD X 20.25"ID	150NBGSK20R1
3	3", 4"	8 5/8"	12 5/8"	BASKET NEP-BEN H&L	NBBSK04EP
	5" – 8"	10 3/4"	14 3/4"	BASKET NEP-BEN H&L	NBBSK08EP
	10", 12"	16"	20 1/2"	BASKET NEP-BEN H&L	NBBSK10EP
	14"	18"	23"	BASKET NEP-BEN H&L	NBBSK14EP
	16"	20"	25 1/2"	BASKET NEP-BEN H&L	NBBSK14EP
4			KNOB SECURING	11210	
5			WASHER .375" X 1.25" OD X .125" THK NYLON	3.8PLAWASH	
6			EYEBOLT 3/8" X 3 3/4"	1509489T73	
7			NUT HEX .500 NYLON SELF LOCK	654S08LNUT	
8			LABEL NEPTUNE BENSON	LABELNB1x4.5	
9			BOLT HEXHD 0.500 X 1.5-13UNC	652S080150	
10			PLUG PIPE 0.25" SCH.40 PVC	210450-002	
11			PLUG 1.50" SCH.40 PVC MPT	210450-015	
12			PLUG 0.75" SCH.40 PVC MPT	210450-007	
13			LABEL STRAINER FLOW L&R SET	LABELSTRNARO	
14	10", 12"	16"	20 1/2"	BRACE FOR COVER	BRACESTRCVR16
	14"	18"	23"	BRACE FOR COVER	BRACESTRCVR18
	16"	20"	25 1/2"	BRACE FOR COVER	BRACESTRCVR20
15			LABEL PIPING NOTE		

NOTE:

1. A lubricant such as petroleum jelly, applied to these surfaces, will enhance gasket sealing capability.
2. Measure cover O.D. and provide that information to Neptune~Benson with knob quantity when ordering replacements.
3. Older strainers may require a 6 hold down cover. Call for pricing.