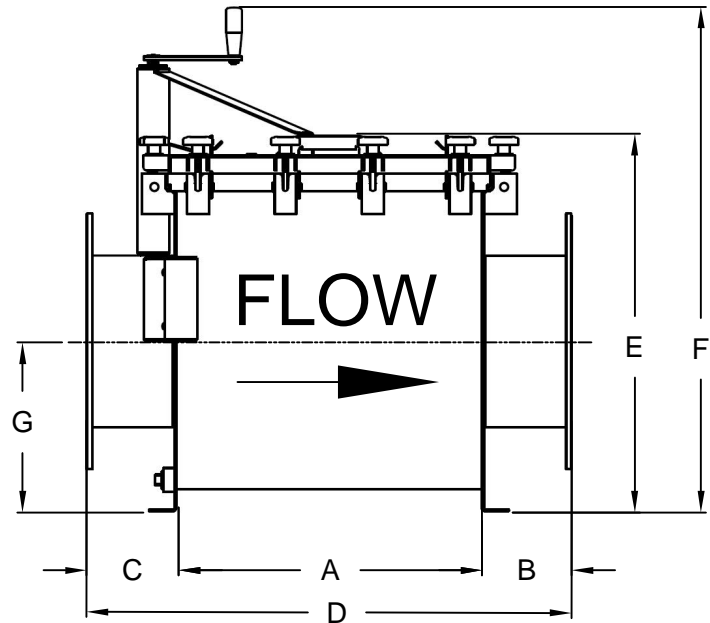
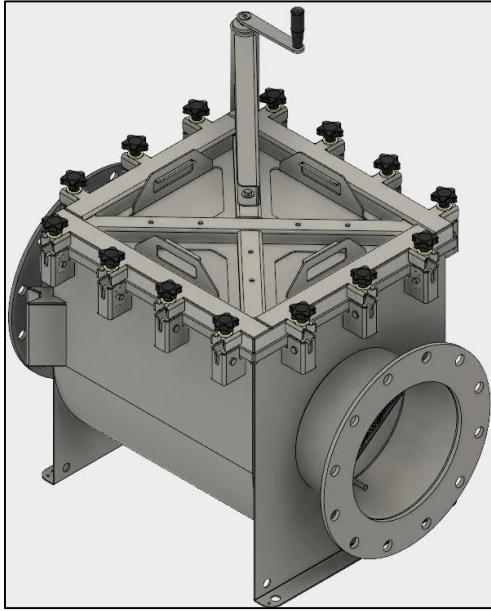


STRAIGHT STRAINERS

LID-LIFTING DAVIT ONLY INCLUDED ON STRAINERS WITH INFLUENT CONNECTION 10 INCHES OR GREATER (BODY SIZES 3 & 4).



BODY SIZE	QTY OF LID HOLD DOWNS
1	8
2	10
3	14
4	16

INFLUENT SIZE (IN)	BASKET PART #	PERFORATION SIZE	OPEN AREA OF BASKET (SQ.IN)
3 to 4	60180	9/32" HEX	221
3 to 4	60209	1/8" ROUND	175
5 to 8	60181	9/32" HEX	443
5 to 8	60210	1/8" ROUND	377

INFLUENT SIZE (IN)	BASKET PART #	PERFORATION SIZE	OPEN AREA OF BASKET (SQ.IN)
10 to 12	60182	9/32" HEX	1228
10 to 12	60211	1/8" ROUND	955
14 to 20	60183	9/32" HEX	1697
14 to 20	60212	1/8" ROUND	1340

BODY SIZE	STRAINER SIZE (IN)	STRAINER PART NUMBER	OPEN AREA OF PIPE (SQ. IN)	OPEN AREA RATIO (9/32")	OPEN AREA RATIO (1/8")	DIMENSIONS (INCHES)						MAX. FLOW RATE (GPM)	APPROX. WEIGHT (LBS)	
						BODY LENGTH [A]	INFLUENT LENGTH [B]	EFFLUENT LENGTH [C]	OVERALL LENGTH [D]	BODY HEIGHT [E]	DAVIT HEIGHT [F]			INF/EFF HEIGHT [G]
1	3	P10303SC	7	31.6:1	25:1	12	3.5	3.5	19	16	-	7.50	125	65 LBS
	4	P10404SC	13	17:1	13.5:1	12	3.5	3.5	19	16	-	7.50	215	65 LBS
2	5	P20505SC	19	23.3:1	19.8:1	16	6.5	6.5	29	19.12	-	8.75	340	120 LBS
	6	P20606SC	28	15.8:1	13.5:1	16	6.5	6.5	29	19.12	-	8.75	588	120 LBS
3	8	P20808SC	50	8.9:1	7.5:1	16	6.5	6.5	29	19.12	-	8.75	854	120 LBS
	10	P31010SC	79	15.5:1	12.1:1	23	6.5	6.5	36	27.875	37.44	12.63	1344	306 LBS
4	12	P31212SC	113	10.9:1	8.5:1	23	6.5	6.5	36	27.875	37.44	12.63	1901	306 LBS
	14	P41414SC	154	11:1	8.7:1	26	9	9	44	32.875	41.44	15	2295	412 LBS
4	16	P41616SC	201	8.4:1	6.7:1	26	9	9	44	32.875	41.44	15	3012	412 LBS
	18	P41818SC	254	6.7:1	5.3:1	26	9	9	44	32.875	41.44	15	4503	412 LBS
4	20	P42020SC	314	5.4:1	4.3:1	26	9	9	44	32.875	41.44	15	5591	412 LBS

STRAINER BODY SHALL BE CONSTRUCTED OF T316 MATERIAL NOT LESS THAN 1/8" IN THICKNESS. FLANGED CONNECTIONS ARE CONSTRUCTED OF T316 STAINLESS STEEL PIPE & WELDED FLANGES. FLANGED CONNECTIONS SHALL BE ANSI STANDARD DIMENSIONS. OTHER STRAINER SIZES AVAILABLE UPON REQUEST.

BASKET SHALL BE TYPE 316 STAINLESS STEEL 9/32" WITH 79% OPEN AREA. OPEN AREA OF BASKET OF OPTIONAL 1/8" PERFORATIONS WITH 58% OPEN AREA SHALL BE NO LESS THAN 4 TIMES GREATER THAN INFLUENT CONNECTION.

ALL DRAWING DIMENSIONS SUPPLIED BY NEPTUNE-BENSON ARE FOR REFERENCE ONLY. ALL CAD FILES WERE CREATED USING AUTOCAD FILE FORMAT (*DWG) AND ARE PRESENTED AS A SERVICE TO OUR CUSTOMERS. ERRORS SOMETIMES OCCUR DURING THIS PROCESS AND WITH SOFTWARE INCOMPATIBILITY UPON OPENING A FILE. NEPTUNE-BENSON AND/OR ANY AUTHORIZED DISTRIBUTOR OF OUR PRODUCTS WILL NOT BE HELD RESPONSIBLE FOR PROBLEMS ARISING FROM FILES WHICH HAVE BEEN CONVERTED AND DOES NOT WARRANT THE DOCUMENTS AGAINST DEFICIENCIES OR TYPOGRAPHICAL ERRORS OF ANY KIND. WE RECOMMEND THAT ALL MEASUREMENTS ARE VERIFIED WITH ACTUAL PHYSICAL PRODUCT BEFORE ANY CUSTOM FABRICATION IN THE FIELD OCCURS.